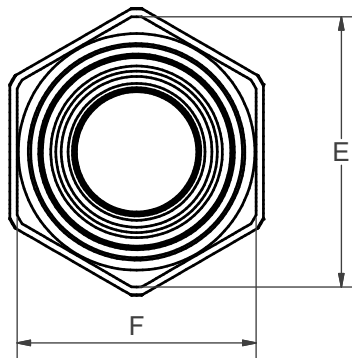
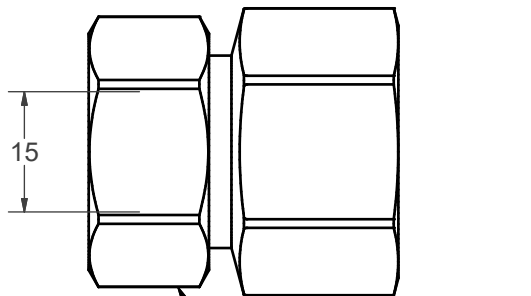
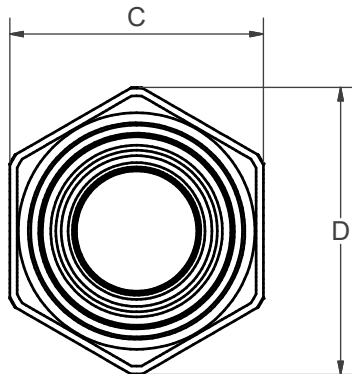
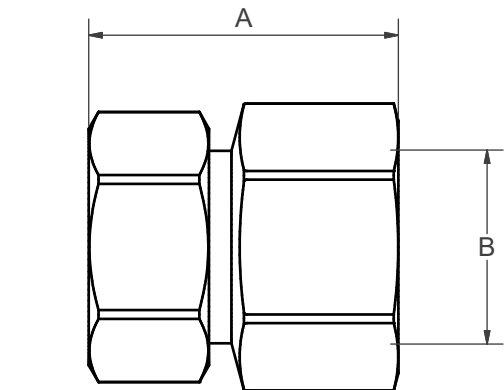
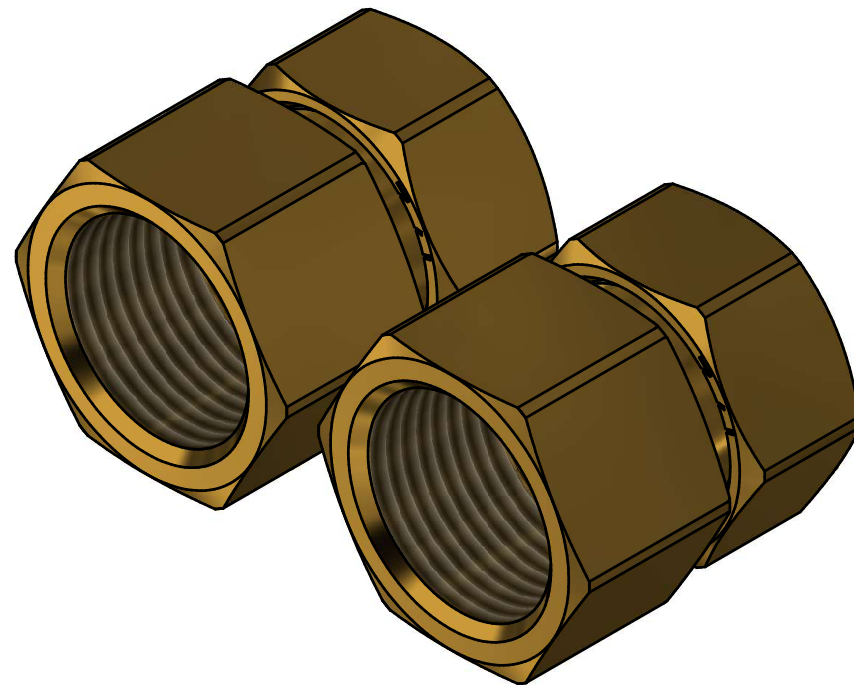


Table					
A	B	C	D	E	F
39	3/4" Female BSP	32	36	34	30



3/4" Euro-cone
union connection



Material: EN CW617N Brass

O-Ring 14mm EPDM. To BS1806 Part No 015

If in any doubt please ask!

Revision	A	Issued	18/03/2021
----------	---	--------	------------

Discription	Pair of short adapters converting from 3/4" EC to 3/4" Female BSP
-------------	---

 <small>PETTINAROLI UK LTD RIVERSIDE UNIT K AUSTIN WAY, HAMSTEAD IND. ESTATE, BIRMINGHAM, B42 1DU. TEL: 0121 358 2012</small>	Drawing No. NXFK-FSC-06-SG		
	<table border="1"> <tr> <td> Drawn By AC </td> <td> Sheet No 1 of 1 </td> <td> <small>All Dim's in mm, General Tolerances Unless Stated, Dim's in Whole Units Toleranced ± 2.00mm Per Joint, Assembly To Be Leak Tested Underwater To 6 Bar Air.</small> </td> </tr> </table>	Drawn By AC	Sheet No 1 of 1
Drawn By AC	Sheet No 1 of 1	<small>All Dim's in mm, General Tolerances Unless Stated, Dim's in Whole Units Toleranced ± 2.00mm Per Joint, Assembly To Be Leak Tested Underwater To 6 Bar Air.</small>	